

P-EG stainless steel housing

Stainless steel gas filter housing in industrial quality.

Product description:

P-EG filter housings have been developed for the purification of compressed air and other technical gases in industrial ranges of application. Optimized construction offers low differential pressure at high flow rates.

Numerous different sizes of housings with various connections make it possible to adopt the filter system to exactly the needed requirements. In this product series there are **18 different sizes** of housings for operating volume flows of 50 to 13.640 scfm related to 100 psig available.

The **ultrafilter** plug connection guarantees that the elements remain safely fixed at all times. Due to the modular design different element types can be installed into the housing. That means, even if the demands change, **ultrafilter** will adapt.

Stainless steel housing P-EG – industrial quality



Technical data

Materials:	
Filter housings:	stainless steel 304 or 316L
Clamp:	stainless steel 304
Plug:	stainless steel 304
Housing gasket:	EPDM (other gaskets on request)

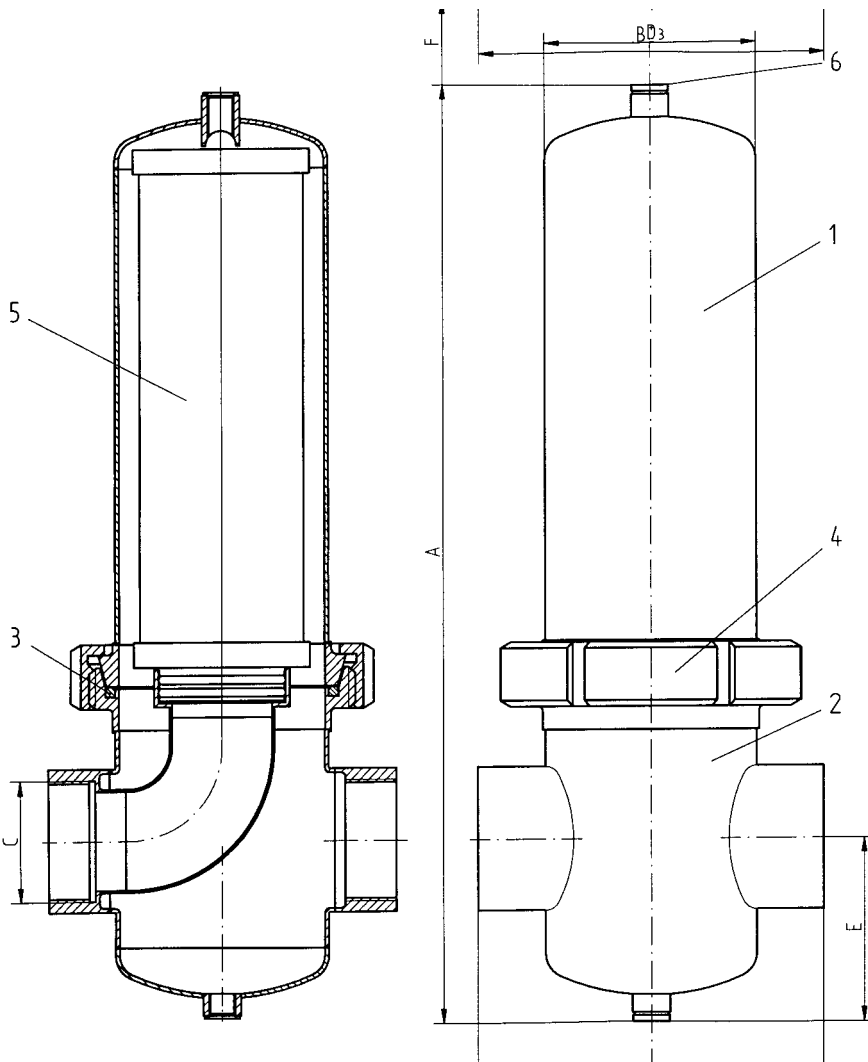
Maximum operating pressure:	
0006–0192	230 psi
0288	175 psi
0432–1920	150 psi

Maximum operating temperature:	
Depends on the gasket of the housing, up to 400 °F	

Surface finish:	
inner:	
0006–0288	pickled and passivated R _a 40 µinch
0432–1920	pickled and passivated R _a 40 µinch
outer:	
0006–0288	pickled, passivated, and polished R _a 40 µinch
0432–1920	pickled and passivated R _a 40 µinch

Connection types:	
NPT thread connection (standard for 0006–0288 single housing)	
ANSI flange (standard starting at 0432; optional up to 0192)	
Weld ends, BSP, DIN-flange or other connections and bigger housings are available on request	

Technical alterations reserved (Date 1/99)



with thread connection

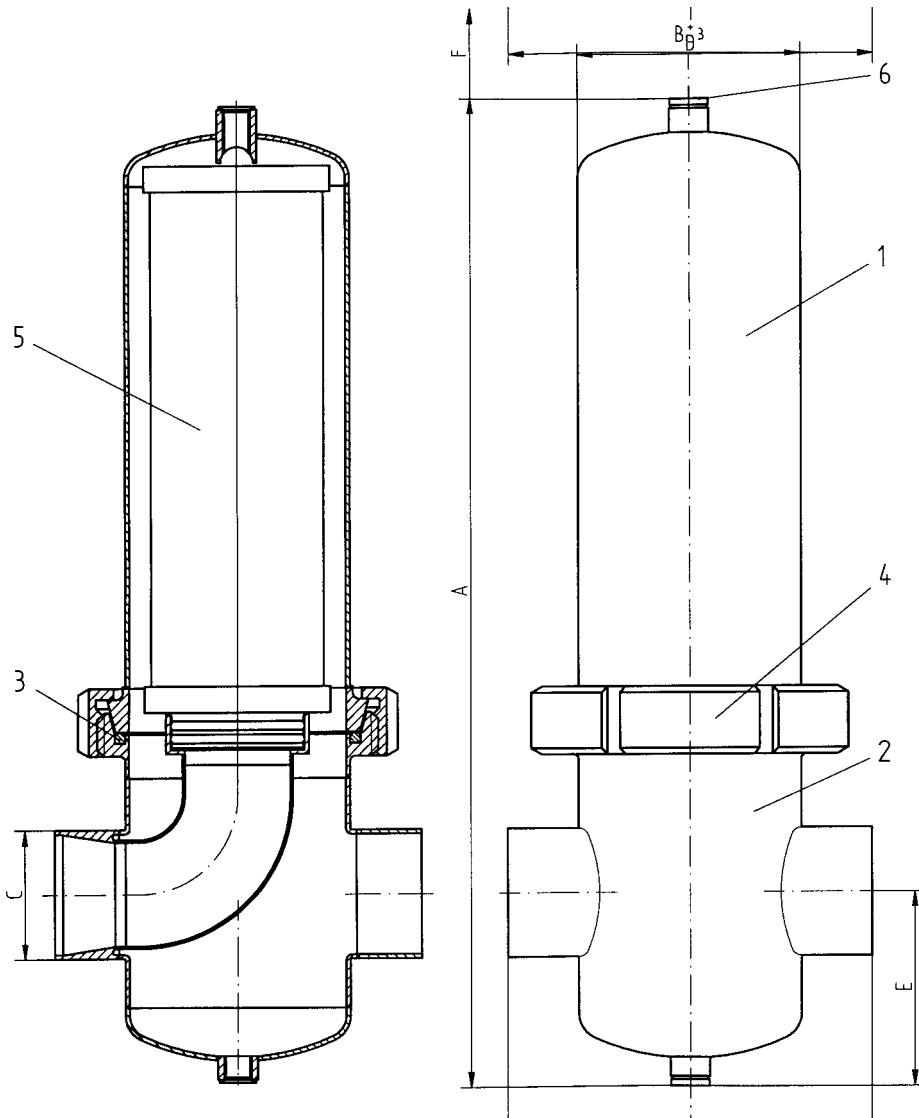
Pos.	Piece	Description
6	2	plug
5	1	filter element
4	1	nut
3	1	housing gasket
2	1	lower housing bowl
1	1	upper housing bowl

max. working pressure	
0006-0192:	230 psi g
0288:	175 psi g
test pressure	
0006-0192:	345 psi g
0288:	265 psi g
max. working temperature:	
400 °F	
material	
housing:	304/316 L
attaching parts:	304
surface finish:	
inside R _a 40 µinch; pickled and passivated	
outside R _a 40 µinch; pickled, passivated and polished	

Type	Volume gal	Weight* lbs	A inch	B inch	C	Ø D inch	E inch	F inch	Element
0006	0.1	4	8	4	1/4" NPT	3	2	4	03/10
0009	0.2	4	10	4	3/8" NPT	3	2	5	04/10
0012	0.2	4	10	4	1/2" NPT	3	2	5	04/20
0018	0.2	4	10	5	3/4" NPT	3	2	6	05/20
0027	0.3	6	12	5	1" NPT	3	3	6	05/25
0036	0.3	7	14	6	1 1/4" NPT	3	3	8	07/25
0048	0.6	9	15	7	1 1/2" NPT	4	4	8	07/30
0072	0.9	11	18	7	2" NPT	4	4	11	10/30
0108	1.1	12	23	7	2" NPT	4	4	18	15/30
0144	2.1	20	29	9	2 1/2" NPT	5	4	23	20/30
0192	2.9	24	39	9	3" NPT	5	4	33	30/30
0288	4.4	36	40	9	3" NPT	6	5	33	30/50

* without filter element

with butt weld end



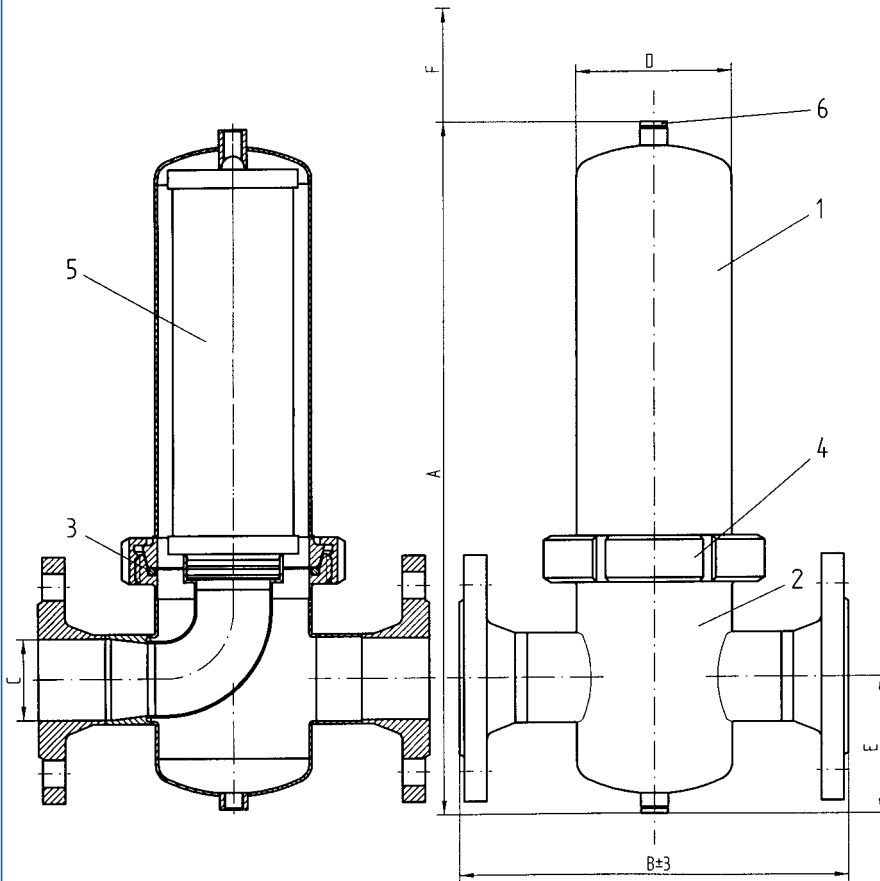
Pos.	Piece	Description
6	2	plug
5	1	filter element
4	1	nut
3	1	housing gasket
2	1	lower housing bowl
1	1	upper housing bowl

max. working pressure	
0006-0192:	230 psi g
0288:	175 psi g
test pressure	
0006-0192:	345 psi g
0288:	265 psi g
max. working temperature:	
	400 °F
material	
housing:	304/316 L
attaching parts:	304
surface finish:	
	inside R _a 40 µinch; pickled and passivated
	outside R _a 40 µinch; pickled, passivated and polished

Type	Volume gal	Weight* lbs	A inch	B inch	C Nominal Pipe Size	ØD inch	E inch	F inch	Element
0006	0.1	4	8	4	3/8"	3	2	4	03/10
0009	0.2	4	10	4	3/8"	3	2	5	04/10
0012	0.2	4	10	4	1/2"	3	2	5	04/20
0018	0.2	4	10	5	3/4"	3	2	6	05/20
0027	0.3	6	12	5	1"	3	3	6	05/25
0036	0.3	7	14	6	1 1/4"	3	3	8	07/25
0048	0.6	9	15	7	1 1/2"	4	4	8	07/30
0072	0.9	11	18	7	2"	4	4	11	10/30
0108	1.1	12	23	7	2"	4	4	18	15/30
0144	2.1	20	29	8	2 1/2"	5	4	23	20/30
0192	2.9	24	39	8	3"	5	4	33	30/30
0288	4.4	36	40	9	3"	6	5	33	30/50

* without filter element

with flange connection ANSI 150 lbs



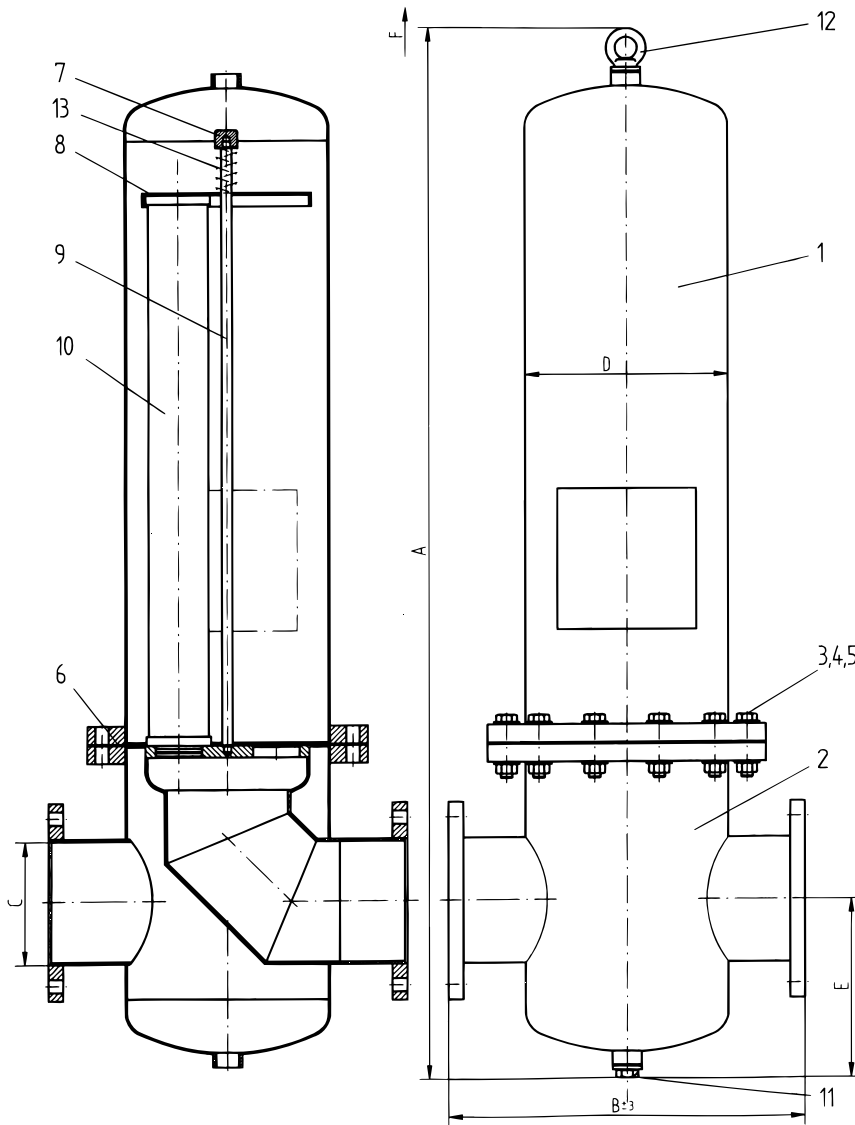
Pos.	Piece	Description
6	2	plug
5	1	filter element
4	1	nut
3	1	housing gasket
2	1	lower housing bowl
1	1	description

max. working pressure	
0006-0192:	230 psi g
0288:	175 psi g
test pressure	
0006-0192:	345 psi g
0288:	265 psi g
max. working temperature:	400 °F
material	
housing:	304/316 L
attaching parts:	304
surface finish:	inside R _a 40 μinch; pickled and passivated outside R _a 40 μinch; pickled, passivated and polished

Type	Volume gal	Weight* lbs	A inch	B inch	C 150 lbs ANSI B 16.5	D inch	E inch	F inch	Element
0006	0.1	6	8	8	1/2"	3	2	4	03/10
0009	0.2	6	10	8	1/2"	3	2	5	04/10
0012	0.2	7	10	8	1/2"	3	2	5	04/20
0018	0.2	9	10	9	3/4"	3	2	6	05/20
0027	0.3	11	12	10	1"	3	3	6	05/25
0036	0.3	14	14	10	1 1/4"	3	3	8	07/25
0048	0.6	18	15	11	1 1/2"	4	4	8	07/30
0072	0.9	22	18	12	2"	4	4	11	10/30
0108	1.1	23	23	12	2"	4	4	18	15/30
0144	2.1	33	29	13	2 1/2"	5	4	23	20/30
0192	2.9	40	39	13	3"	5	4	33	30/30
0288	4.4	52	40	15	3"	6	5	33	30/50

* without filter element

with flange connection ANSI 150 lbs



Pos.	Piece	Description
13		spring
12		lifting eye bolts
11		plug
10		filter element
9		anchor bolt
8		bracket plate
7		bracket bolt
6		gasket
5		nut
4		washer
3		hexagon bolt
2		lower housing bowl
1		upper housing bowl

max. working pressure:	150 psi g
test pressure:	225 psi g
max. working temperature:	400°F
material housing:	304/316 L
attaching parts:	304
surface finish:	pickled and passivated

Type	Volume gal	Weight* lbs	A inch	B inch	C 150 lbs ANSI B 16.5 inch	D inch	E inch	F inch	Element
0432	9.5	95	43	16	4"	9	8	23	3x20/30
0576	11.9	97	53	16	4"	9	8	33	3x30/30
0768	20.3	154	56	19	6"	11	9	33	4x30/30
1152	29.1	176	57	21	6"	13	10	33	6x30/30
1536	50.2	298	63	26	8"	16	12	33	8x30/30
1920	50.2	298	63	26	8"	16	12	33	10x30/30

* without filter element